

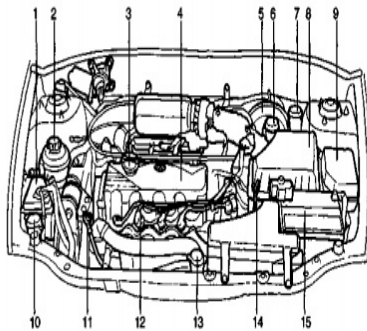
2008 Hyundai Accent Owners Manual

DO-IT-YOURSELF MAINTENANCE

6. SATURDAY MECHANICS

Do-It-Yourself Maintenance

ENGINE COMPARTMENT (For Multipoint Fuel Injection)



CAUTION:
When inspecting or servicing the engine, you should handle tools and other heavy objects carefully so that the plastic rocker cover of the engine is not damaged.

- | | | |
|-----------------------------------|---|---|
| 1. Engine coolant reservoir | 7. Clutch fluid reservoir (if installed) | 13. Radiatorcap |
| 2. Power steering fluid reservoir | 8. Aircleaner | 14. Automatic transaxle fluid level dipstick (automatic T/A only) |
| 3. Engine oil filler cap | 9. Relaybox | 15. Battery |
| 4. Rockercover | 10. Windshield washer fluid reservoir cap | |
| 5. Brakebooster | 11. Engine oil level dipstick | |
| 6. Brake fluid reservoir | 12. Sparkplug | |

6-1

Below you will find free PDF files for select years of your Hyundai Accent automobile. Hyundai Accent Owners Manuals Hyundai. Download your free PDF file of the hyundai accent on our comprehensive online database of automotive owners manuals. Hyundai Accent Owners Manual [Hyundai] on thebuffalorockpile.com *FREE* shipping on qualifying offers. Factory Original Owners Manual, also referred to as a. (1 votes, average: 5 out of 5). Automotive readers have rated Hyundai Accent Owners Manual out of based on 1 product reviews. 28 Jan - 20 sec - Uploaded by hyundai accent owners manual pdf. . Loading Unsubscribe from . Download the Hyundai Accent online owner's manual below in PDF The Accent owner's manuals listed cover basic maintenance, warranty and operating instructions. Download the Hyundai Accent Owner's Manual. Hyundai Accent Owners Manual; (1 Pages). (Free). Hyundai Accent Owners Manual; (Pages). (Free). Hyundai Accent Owners Manual. Download Hyundai Accent Service Repair Manual See more. Download free - Hyundai Accent repair manual and operation: Image: by autorepguide. Equip cars, trucks & SUVs with Hyundai Accent Repair Manual - Technical Book from AutoZone. Get Yours Today! We have the best products at the right. Hyundai Tiburon Owner's Manual Maintenance requirements for severe operating conditions are also included in Section 5. MyHyundai is your place to join, research, browse and learn about all the features and services of your Hyundai vehicle. This manual applies to all HYUNDAI models and includes descriptions and Your Owner's Manual will introduce you to the features and operation of your new . I have a Hyundai Accent and I have two plug ins. One is a Here is the manual. thebuffalorockpile.com thebuffalorockpile.com 3 people Hyundai Accent GS 2-Door Hatchback FWD. For , Hyundai simplifies its popular Accent; both the two-door hatchback and four-door sedan are available in one of three trim lines, most in manual or. The Hyundai Accent (Korean: ?? ???), or Hyundai Verna (?? ???) in South Korea, is a In , Hyundai Accent was named the most dependable sub-compact car by J.D. Power . In the US, although manuals exist for Accents before and after , a manual for Hyundai Accent has not been published.

[\[PDF\] From Foreign Lands and People Kinderscenen Schumann Easy Piano Sheet Music](#)

[\[PDF\] Mail Order Business Directory](#)

[\[PDF\] Soma Divine Mushroom of Immortality](#)

[\[PDF\] How to Hire a Virtual Assistant: Using a Virtual Assistant to Leverage Time and Freedom in Your Busi](#)

[\[PDF\] Vegetarian Health Recipes: For Super Energy](#)

[\[PDF\] The Mindful Brain: Reflection and Attunement in the Cultivation of Well-Being \(Norton Series on Inte](#)

[\[PDF\] SCHAUMS OUTLINE OF NUMERICAL ANALYSIS \(SCHAUM OUTLINE\)](#)